

NATURAL LIGHT ENERGY SYSTEMS, dba KENNEDY SKYLIGHTS

MODEL "SF" SELF FLASHING POLYCARBONATE SKYLIGHT - NI

INSTALLATION ANCHORAGE DETAILS

GENERAL NOTES:

1. THE PRODUCT ANCHORAGE SHOWN HEREIN IS DESIGNED TO COMPLY WITH THE REQUIREMENTS OF THE CURRENT EDITION OF THE FLORIDA BUILDING CODE - BUILDING (FBC) AND RESIDENTIAL (FRC) VOLUMES EXCLUDING THE HIGH VELOCITY HURRICANE ZONE (HVHZ) AT THE DESIGN PRESSURE(S) STATED HEREIN.
2. THE PRODUCT DETAILS CONTAINED HEREIN ARE BASED UPON SIGNED AND SEALED TEST REPORT NO. NCTL-210-3042-1 AND ASSOCIATED LABORATORY STAMPED DRAWINGS.
3. THE SKYLIGHT HAS BEEN TESTED IN ACCORDANCE WITH THE REQUIREMENTS OF THE CURRENT EDITION OF THE FLORIDA BUILDING CODE - BUILDING (FBC) AND RESIDENTIAL (FRC) VOLUMES EXCLUDING THE HIGH VELOCITY HURRICANE ZONE (HVHZ) AND DOCUMENTED IN SIGNED AND SEALED TEST REPORT NO. NCTL-210-3042-1 AND ASSOCIATED LABORATORY STAMPED DRAWINGS.
4. POLYCARBONATE GLAZING MEETS THE REQUIREMENTS OF THE CURRENT EDITION OF THE FLORIDA BUILDING CODE - BUILDING (FBC) AND RESIDENTIAL (FRC) VOLUMES. SEE SHEET 4 FOR GLAZING DETAIL.
5. ADEQUACY OF THE EXISTING STRUCTURAL FRAMING AS A MAIN WIND FORCE RESISTING SYSTEM CAPABLE OF WITHSTANDING AND TRANSFERRING APPLIED PRODUCT LOADS TO THE STRUCTURE IS THE RESPONSIBILITY OF THE ENGINEER OR ARCHITECT OF RECORD.
6. SITE CONDITIONS THAT DEVIATE FROM THE DETAILS OF THIS DRAWING REQUIRE FURTHER ENGINEERING ANALYSIS BY A LICENSED PROFESSIONAL ENGINEER OR REGISTERED ARCHITECT.
7. IN NON-HVHZ AREAS WHERE WINDBORNE DEBRIS PROTECTION REQUIREMENTS EXIST, USE OF AN IMPACT PROTECTIVE SYSTEM COMPLYING WITH THE FBC REQUIREMENTS FOR WINDBORNE DEBRIS REGIONS IS REQUIRED FOR THE PRODUCT(S) HEREIN.
8. WHEN APPLICABLE, DISSIMILAR METALS INCLUDING FASTENERS THAT MAY COME INTO CONTACT WITH ALUMINUM SKYLIGHT FRAMING SHALL HAVE BEEN PROTECTED IN A MANNER TO PREVENT GALVANIC CORROSION. FASTENERS SHALL BE MADE OF CORROSION RESISTANT METAL OR HAVE A CORROSION RESISTANT COATING.
9. MOUNTING DETAILS:
 - 9.1. IN ACCORDANCE WITH THE CURRENT EDITION OF THE FLORIDA BUILDING CODE - BUILDING VOLUME, INSTALLATION OF A SKYLIGHT WITHOUT A CURB SHALL BE PERMITTED ON ROOFS WITH A MINIMUM SLOPE OF 14 DEGREES (THREE UNITS VERTICAL IN 12 UNITS HORIZONTAL) IN GROUP R-3 OCCUPANCIES. ALL UNIT SKYLIGHTS INSTALLED IN A ROOF WITH A PITCH FLATTER THAN 14 DEGREES (0.25 rad) SHALL BE MOUNTED AT LEAST 4 INCHES (102 mm) ABOVE THE PLANE OF THE ROOF ON A CURB CONSTRUCTED AS REQUIRED FOR THE FRAME UNLESS OTHERWISE SPECIFIED IN THE MANUFACTURER'S INSTALLATION INSTRUCTIONS.
 - 9.3. DOME-SHAPED SKYLIGHTS SHALL RISE ABOVE THE MOUNTING FLANGE A MINIMUM DISTANCE EQUAL TO 10 PERCENT OF THE MAXIMUM SPAN OF THE DOME BUT NOT LESS THAN 3 INCHES.
 - 9.4. INTEGRATION WITH THE ROOF ASSEMBLY SHALL BE IN ACCORDANCE WITH CHAPTER 15 OF THE CURRENT EDITION OF THE FBC AND CHAPTER 9 OF THE CURRENT EDITION OF THE FRC.
 - 9.5. ADDITIONAL INSTALLATION DETAILING AND ENGINEERED INSTALLATION EVALUATION BY A LICENSED DESIGN PROFESSIONAL WILL BE REQUIRED FOR SUBMITTAL IN ADDITION TO THIS PRODUCT EVALUATION DOCUMENT.

TABLE OF CONTENT	
SHEET	DESCRIPTION
1	GENERAL NOTES AND DESIGN PRESSURE RATING
2	INSTALLATION NOTES AND ANCHOR SCHEDULE
3	ELEVATION AND ANCHORING LAYOUT
4	INSTALLATIOIN SECTION, GLAZING DETAIL AND B.O.M.

DP RATING BASIS (SEE NOTE BELOW)	DESIGN PRESSURE RATING (PSF)	IMPACT RATING
NAMI NOPC CERTIFICATION SKP-C85 70	+85/-70.0	NON-IMPACT
TEST REPORT NO. NCTL-210-3042-1	+87.5/-70.0	NON-IMPACT
CERTIFICATION TO AAMA/WDMA 1600-00/I.S.7-2000 (EQUIVALENT TO AAMA/CSA/WDMA 101/I.S. 2/A440-08) MANDATES ROUNDING DESIGN PRESSURE TO THE NEAREST/LOWEST 5 PSF RATING. TEST REPORT NO. NCTL-210-3042-1 TESTED PRODUCT TO MAXIMUM TEST PRESSURE OF +175/-140 PSF. WITH SAFETY FACTOR OF 2, DESIGN PRESSURE BASED ON TESTING IS +87.5/-70 PSF. DESIGN PRESSURE REPORTED IN PRODUCT APPROVAL IS +85/-70 PSF BASED ON CERTIFICATION RATING.		

PROJECT NUMBER: 423-0504	
REV	DESCRIPTION
C	Update to 8th Edition (2023) FBC
B	Update to 6th Edition (2017) FBC
A	Update to 5th Edition (2014) FBC
DATE	DATE
	10/16/23 RJA
	12/6/17 RJA
	7/15/15 RJA
BY	BY

NATURAL LIGHT ENERGY SYSTEMS, dba KENNEDY SKYLIGHTS
 5294 TOWER WAY
 SANFORD, FL 32773

TITLE: MODEL "SF" SELF FLASHING POLYCARBONATE SKYLIGHT NON-IMPACT
 GENERAL NOTES AND DESIGN PRESSURE RATING

DATE: 05/08/12
 DRAWING NO: KENN0008
 SHEET: 1 OF 4

PREPARED BY: T.J.H.
 SCALE: N.T.S.
 REV: C

PTC PRODUCT DESIGN GROUP, LLC
 PO BOX 520776 Phone: 321.690.1789
 LONGWOOD, FLORIDA 32752 Fax: 321.690.1789
 FBPE C.A. NO. 23535 Email: info@ptc-corp.com

Robert J. Amoruso, P.E.
 FL P.E. No. 49752

INSTALLATION NOTES:

1. APPLY ALL SEALANTS ACCORDING TO MANUFACTURERS INSTRUCTIONS.
2. PRODUCT ANCHORS SHALL BE AS DESIGNATED AND LOCATED AS SHOWN ON THE INSTALLATION DRAWINGS. ANCHOR EMBEDMENT AND EDGE DISTANCE EXCLUDE WALL FINISHES INCLUDING, BUT NOT LIMITED TO SHEATHING, UNDERLAYMENT AND SHINGLES.
3. INSTALLATION ANCHORS AND ASSOCIATED HARDWARE MUST BE MADE OF CORROSION RESISTANT MATERIAL OR HAVE A CORROSION RESISTANT COATING. DISSIMILAR METALS OR MATERIALS IN CONTACT WITH PRESSURE TREATED WOOD MUST BE PROTECTED TO PREVENT REACTION.
4. INSTALLATION ANCHORS SHALL BE INSTALLED IN ACCORDANCE WITH ANCHOR MANUFACTURER'S INSTALLATION INSTRUCTIONS. ANCHORS SHALL NOT BE USED IN SUBSTRATES WITH STRENGTHS LESS THAN THE MINIMUM STRENGTH SPECIFIED IN THE INSTALLATION ANCHOR SCHEDULE ON THIS SHEET.

INSTALLATION ANCHOR SCHEDULE							
ROOF ASSEMBLY SUBSTRATE TYPE	HEAD TYPE	SIZE	MANUFACTURER AND/OR SPECIFICATION	MIN. EMBEDMENT (IN)	MIN. EDGE DISTANCE (IN)	MIN. SPACING (IN)	CAPACITIES BASED ON
CONCRETE	HEX HEAD	3/16"	ITW TAPCON (2)	1 1/2	1 1/8	2 1/2	MIN. 2500 PSI CONCRETE BUT NOT LESS THAN THAT REQUIRED BY BUILDING CODE
			Elco Ultracon	1 3/8	1	3 3/8	MIN. 2500 PSI CONCRETE BUT NOT LESS THAN THAT REQUIRED BY BUILDING CODE
SOLID-SAWN LUMBER (1)	HEX, PAN OR TRUSS HEAD	NO. 8	ANSI B18.6.1 (WOOD SCREW) ASME B18.6.4 (SELF-DRILLING/SELF-TAPPING SCREW)	7/8	5/16	13/16	WOOD WITH A MINIMUM SPECIFIC GRAVITY OF 0.55
SOLID-SAWN LUMBER	1/4" DIA. ROUND HEAD RING-SHANK NAIL	0.099" DIA. MIN.	RING-SHANK NAIL	7/8	1/2	1/2	WOOD WITH A MINIMUM SPECIFIC GRAVITY OF 0.55
ALUMINUM OR STEEL, 1/8" MIN. WALL THICKNESS	HEX, PAN OR TRUSS HEAD	NO. 8	ASME B18.6.4 (SELF-DRILLING/SELF-TAPPING SCREW)	PROTRUDING MIN. 3 THREADS PAST INTERIOR OF SUBSTRATE	1/2	1/2	ULTIMATE STRENGTH (Fu) OF 22,000 PSI
PLYWOOD or OSB	HEX, PAN OR TRUSS HEAD	NO. 8	ASME B18.6.4 (TYPE AB TAPPING SCREW)	SCREW THREADS SHALL PROTRUDE A MINIMUM OF 1/4" FROM THE UNDERSIDE OF THE ROOF SHEATHING	1/2	1/2	7/16" THICK PLYWOOD - SPECIES GROUP 1 OR 2 (APA VOLUNTARY PRODUCT STANDARD PS 1) MINIMUM OR 7/16" - SHEATHING GRADE (APA VOLUNTARY PRODUCT STANDARD PS 2) MINIMUM
PLYWOOD or OSB	1/4" DIA. ROUND HEAD RING-SHANK NAIL	0.099" DIA. MIN.	RING-SHANK NAIL	NAIL SHANK SHALL PROTRUDE A MINIMUM OF 1/4" FROM THE UNDERSIDE OF THE ROOF SHEATHING	1/2	1/2	

NOTES:

- 1) FOR WOOD AND TAPPING SCREWS IF SPLITTING IS A CONCERN, DRILL 0.082" (DRILL SIZE 45) PILOT HOLE FOR WOOD FRAME INSTALLATION.
- 2) WHEN ITW TAPCONS ARE USED FOR CONCRETE/MASONRY INSTALLATION, THEY SHALL BE THE ADVANCED THREADFORM TECHNOLOGY TYPE.

PROJECT NUMBER: 423-0504			RJA	BY
			RJA	DATE
			10/16/23	
			12/6/17	
		Update to 8th Edition (2023) FBC		
		Update to 6th Edition (2017) FBC		
		Update to 5th Edition (2014) FBC		
		C	REV	
		B	REV	
		A	REV	
			DESCRIPTION	

NATURAL LIGHT ENERGY SYSTEMS, dba KENNEDY SKYLIGHTS
 5294 TOWER WAY
 SANFORD, FL 32773

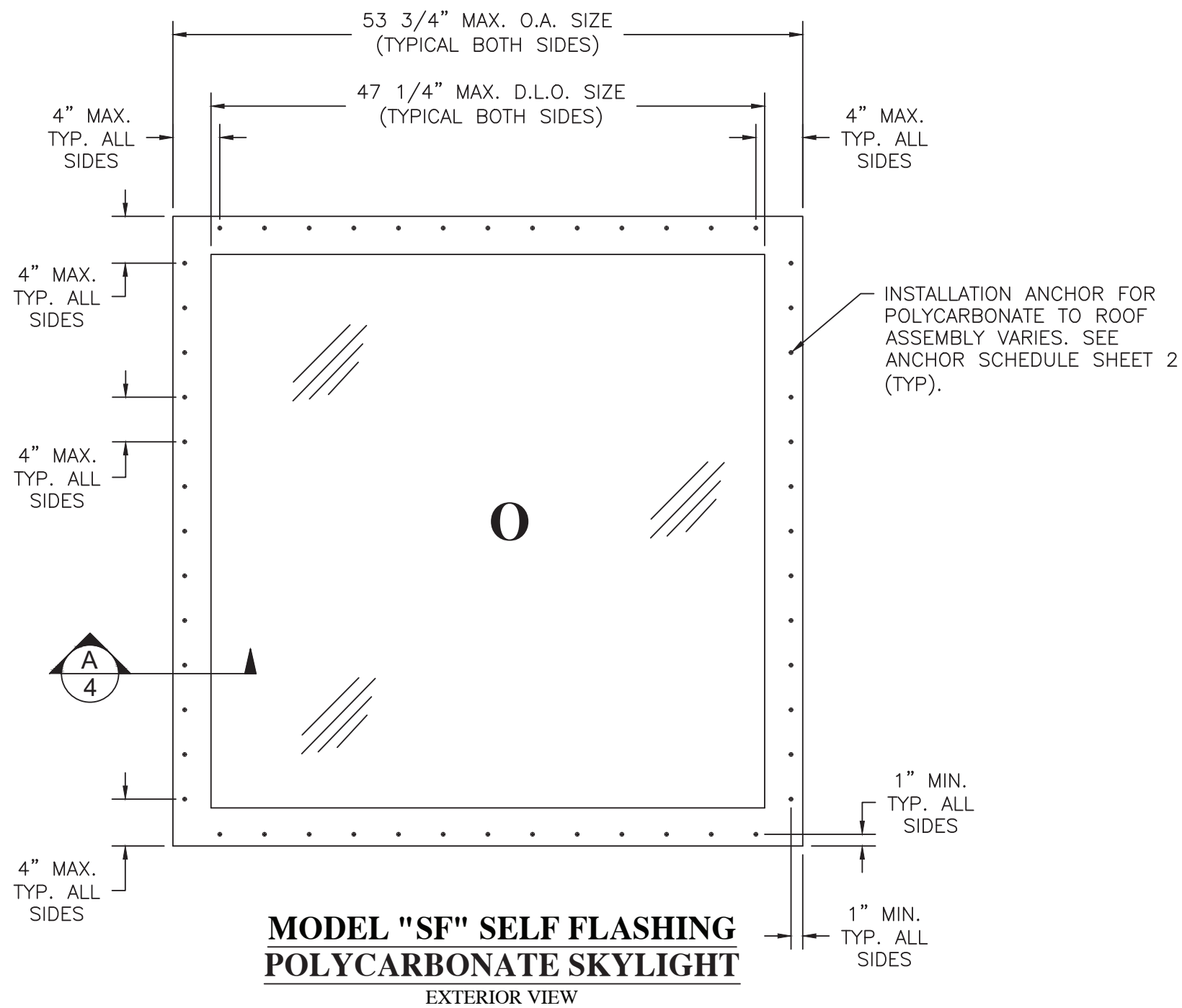
TITLE: MODEL "SF" SELF FLASHING POLYCARBONATE SKYLIGHT NON-IMPACT
 INSTALLATION NOTES AND ANCHOR SCHEDULE

DATE: 05/08/12
 DRAWING NO: KENN0008
 SHEET: 2 OF 4

PREPARED BY: TJH
 SCALE: N.T.S.
 REV: C

PTC PRODUCT DESIGN GROUP, LLC
 PO BOX 520776
 LONGWOOD, FLORIDA 32752
 FBPE CA. NO. 23535
 Phone: 321.690.1789
 Fax: 321.690.1789
 Email: info@ptc-corp.com

Robert J. Amoruso, P.E.
 FL P.E. No. 49752



PROJECT NUMBER: 423-0504

REV	DESCRIPTION	DATE	BY
C	Update to 8th Edition (2023) FBC	10/16/23	RJA
B	Update to 6th Edition (2017) FBC	12/6/17	RJA
A	Update to 5th Edition (2014) FBC	7/15/15	RJA

NATURAL LIGHT ENERGY SYSTEMS, dba KENNEDY SKYLIGHTS
5294 TOWER WAY
SANFORD, FL 32773

TITLE: MODEL "SF" SELF FLASHING POLYCARBONATE SKYLIGHT
NON-IMPACT
ELEVATION AND ANCHORING LAYOUT

PREPARED BY: PTC PRODUCT DESIGN GROUP, LLC
PO BOX 520776
LONGWOOD, FLORIDA 32752
FBPE CA. NO. 23535

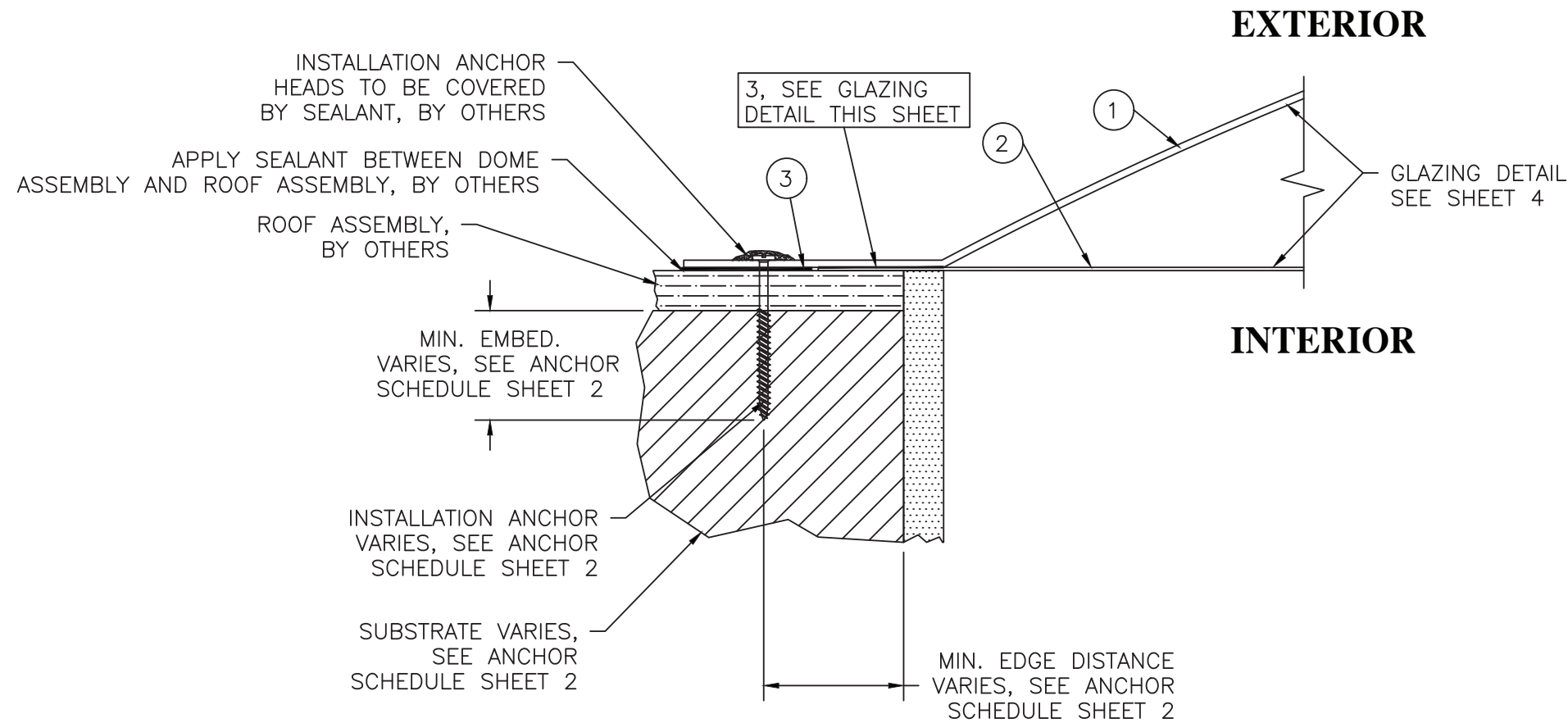
DATE: 05/08/12
DRAWING NO.: KENN0008
SHEET: 3 OF 4

DRAWN BY: TJH
SCALE: N.T.S.
REV: C

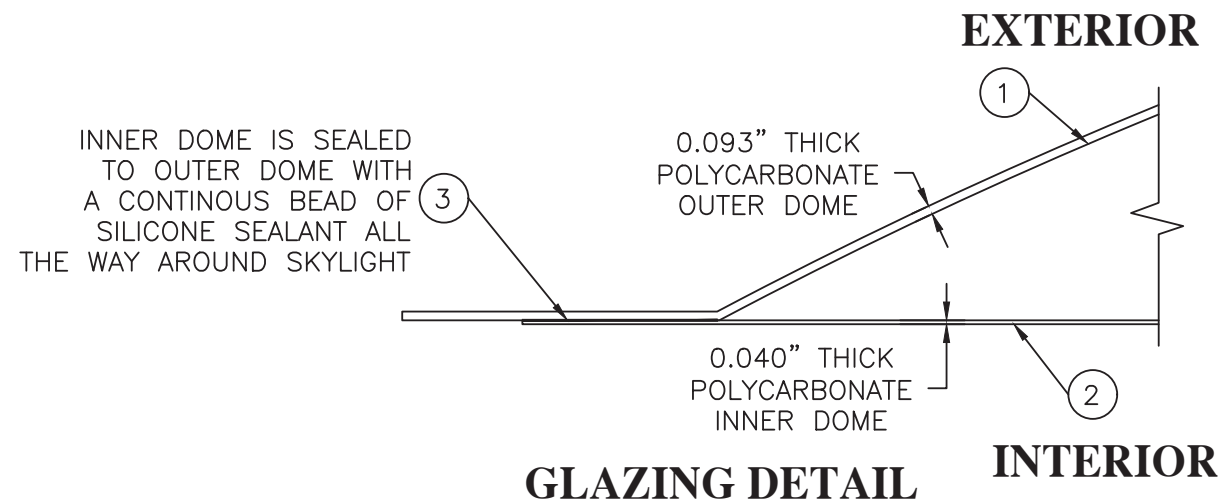
Robert J. Amoruso, P.E.
FL P.E. No. 49752

BILL OF MATERIALS

ITEM #	PART #	ITEM DESCRIPTION	MANUFACTURER	MATERIAL
1		0.093" POLYCARBONATE OUTER DOME (NOA NO. 12-0110.04)	PALRAM AMERICAS, INC.	POLYCARBONATE
2		0.040" POLYCARBONATE INNER DOME (NOA NO. 12-0110.04)	PALRAM AMERICAS, INC.	POLYCARBONATE
3		SILICONE SEALANT		SILICONE



A INSTALLATION CROSS SECTION
4



PROJECT NUMBER: 423-0504

REV	DESCRIPTION	DATE	BY
C	Update to 8th Edition (2023) FBC	10/16/23	RJA
B	Update to 6th Edition (2017) FBC	12/6/17	RJA
A	Update to 5th Edition (2014) FBC	7/15/15	RJA

NATURAL LIGHT ENERGY SYSTEMS, dba KENNEDY SKYLIGHTS
5294 TOWER WAY
SANFORD, FL 32773

TITLE: MODEL "SF" SELF FLASHING POLYCARBONATE SKYLIGHT NON-IMPACT
INSTALLATION SECTION, GLAZING DETAIL AND B.O.M.

PREPARED BY: [Redacted]
DRAWN BY: TJH
SCALE: N.T.S.
REV: C

DATE: 05/08/12
DRAWING NO: KENN0008
SHEET: 4 OF 4

PTC PRODUCT DESIGN GROUP, LLC
PO BOX 520776
LONGWOOD, FLORIDA 32752
Phone: 321.690.1789
Fax: 321.690.1789
Email: info@ptc-corp.com
FBPE CAL. NO. 23535

Robert J. Amoruso, P.E.
FL P.E. No. 49752